

BROADBAND DUAL-RIDGE HORN ANTENNA

750 MHz TO 8 GHz

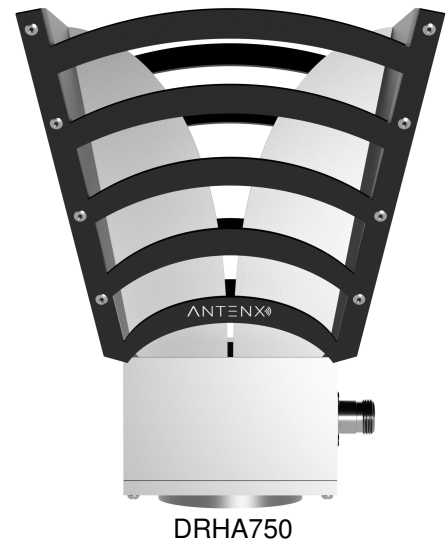
DRHA750

KEY FEATURES

- Wide bandwidth and consistent directional radiation patterns
- Rugged and durable aluminum body
- VSWR typically below 2:1 with gain up to 12.5 dBi
- Professionally designed and hand-tested by engineers in the United States

DESIGN SPECIFICATIONS

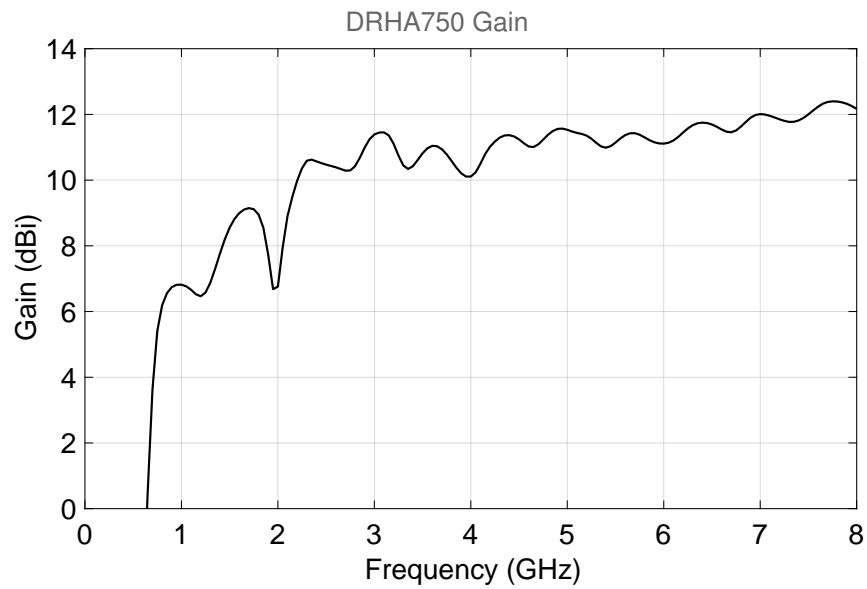
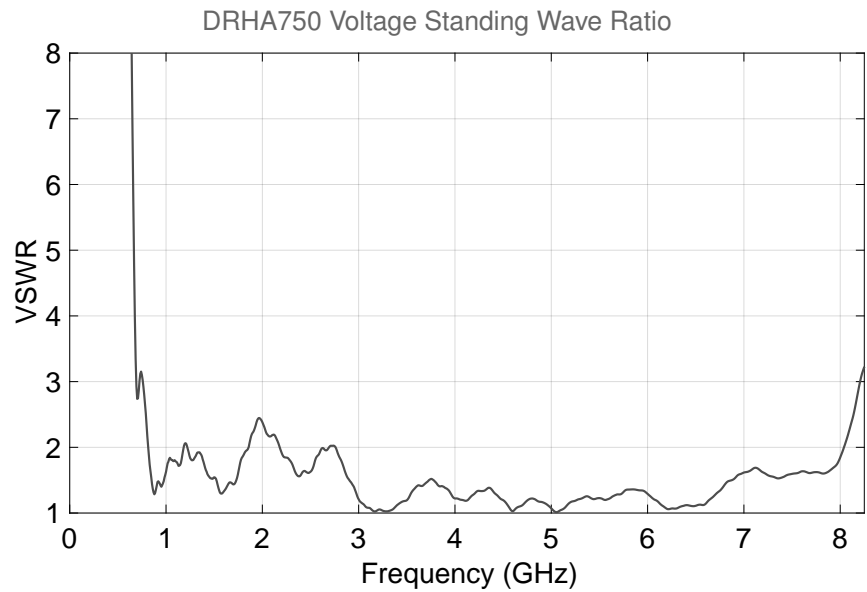
- Design: Dual-Ridge Horn
- Operating Frequency: 750 MHz to 8 GHz
- Polarization: Linear (horizontal or vertical based on orientation)
- Connector: N Female
- Construction: Aluminum with PCB sides
- Mounting: #1/4-20 screw holes (see diagram on page 4)
- Length: 8.1 in [206 mm]
- Width: 10.0 in [255 mm]
- Height: 6.5 in [165 mm]
- Weight: 2.5 lbs [1.15 kg]



PERFORMANCE SPECIFICATIONS

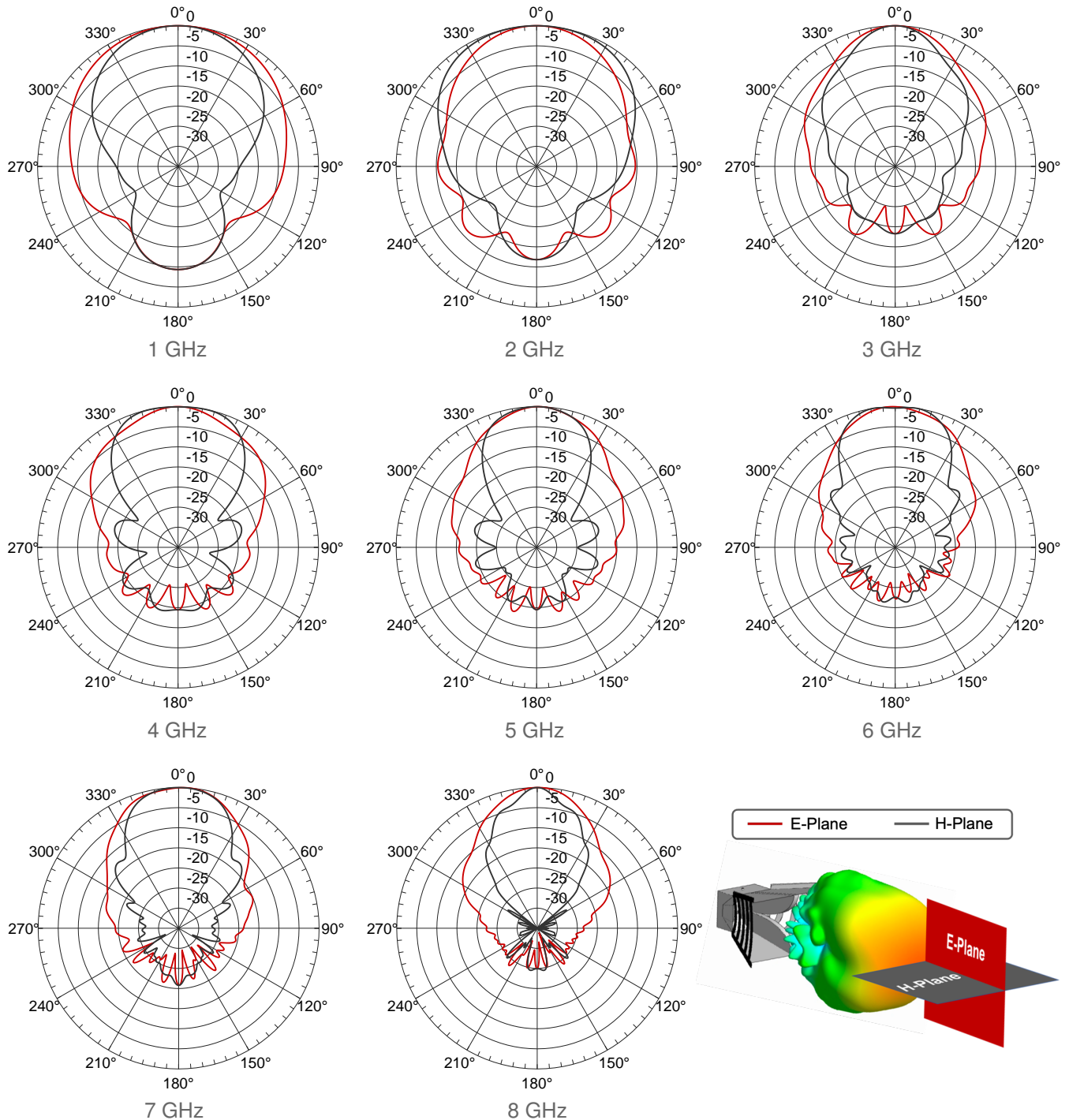
Parameter		Frequency	Min.	Typ.	Max.	Unit
VSWR		750 MHz – 1.0 GHz	–	2.0	3.5	–
		1.0 GHz – 3.0 GHz	–	1.8	3.0	
		3.0 GHz – 8.0 GHz	–	1.4	3.2	
Gain		750 MHz – 1.0 GHz	3.0	5.0	7.5	dBi
		1.0 GHz – 3.0 GHz	6.5	9.0	12.0	
		3.0 GHz – 8.0 GHz	9.5	11.0	13.0	
HPBW	E-Plane	750 MHz – 8 GHz	36	50	128	deg.
	H-Plane		18	45	80	
Input Power		750 MHz – 8 GHz	–	–	50	W
Impedance		–	50			Ω
Connector		–	N (female)			–

TYPICAL PERFORMANCE



TYPICAL PERFORMANCE (CONT.)

DRHA750 Normalized Radiation Patterns

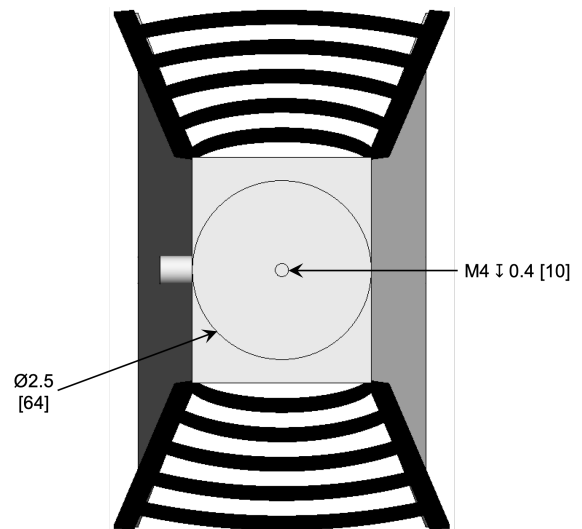
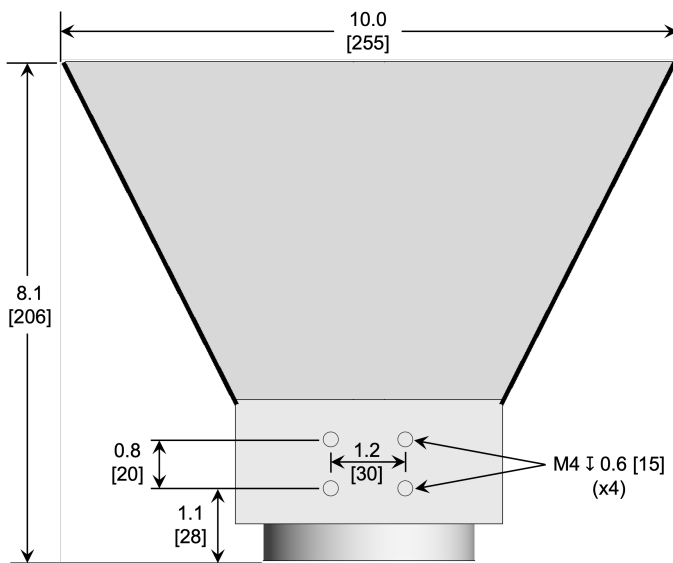
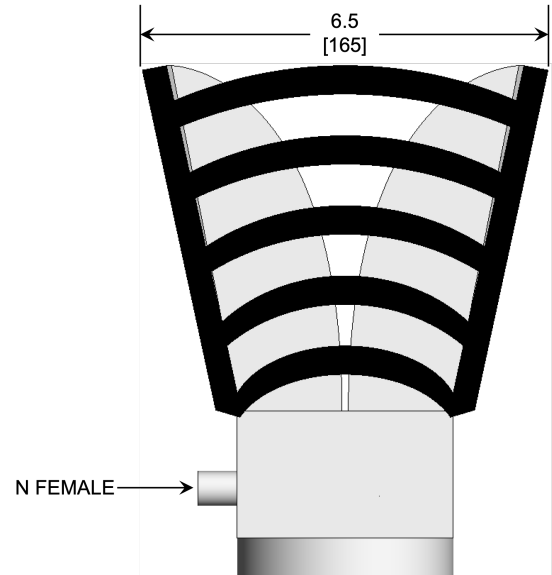
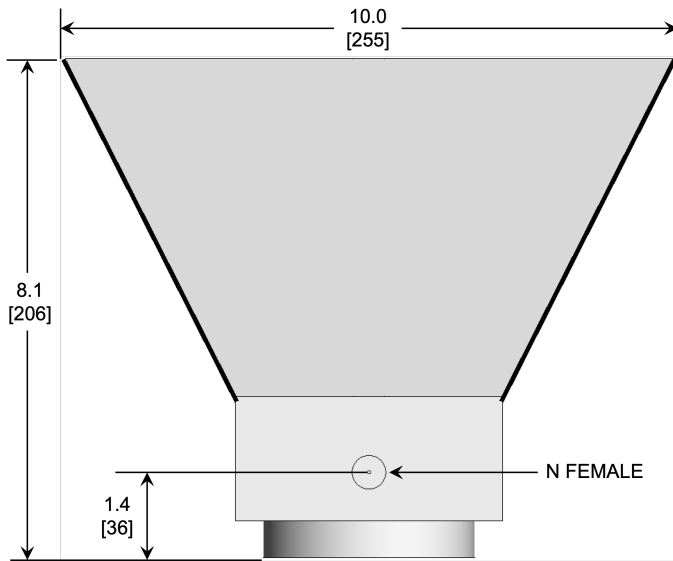


BROADBAND DUAL-RIDGE HORN ANTENNA

750 MHz TO 8 GHz

DRHA750

CAD DRAWING



NOTES:

1. UNLESS OTHERWISE SPECIFIED ALL DIMENSIONS ARE NOMINAL
2. DIMENSIONS ARE IN INCHES [mm]
3. ALL SPECIFICATIONS ARE SUBJECT TO CHANGE WITHOUT NOTICE AT ANY TIME