

X-BAND OPEN-ENDED WAVEGUIDE PROBE ANTENNA

8.2 GHz TO 12.4 GHz

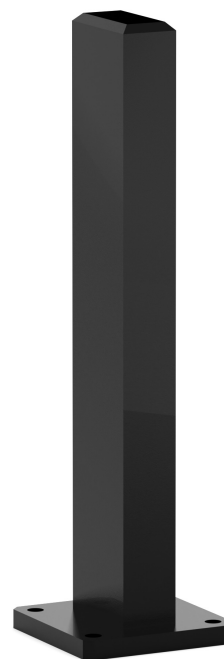
OEWG-WR90

KEY FEATURES

- X-band open-ended waveguide probe antenna
- Typical gain of 7 dBi and designed to minimize VSWR
- Durable all-metal body (aluminum)
- Tapered ends to minimize diffraction effects
- Professionally designed and hand-tested by engineers in the United States

DESIGN SPECIFICATIONS

- Design: Rectangular Open-Ended Waveguide Probe
- Operating Frequency: 8.2 GHz to 12.4 GHz
- Polarization: Linear (horizontal/vertical based on orientation)
- Waveguide Size: WR-90
- Flange: UG-135/U
- Body Material and Plating: Aluminum Alloy, Paint
- Length: 1.63 in [41.4 mm]
- Width: 1.63 in [41.4 mm]
- Height: 6.0 in [152.4 mm]



OEWG-WR90

PERFORMANCE SPECIFICATIONS

Parameter		Frequency	Min.	Typ.	Max.	Unit
VSWR ¹		8.2 GHz – 12.4 GHz	–	1.9	3.0	–
Gain		8.2 GHz – 12.4 GHz	3.5	7.0	10.0	dBi
HPBW	E-Plane	8.2 GHz – 12.4 GHz	70	95	125	deg.
	H-Plane		38	60	80	
Impedance		–	50			Ω
Connector		–	WR-90 UG-135/U			–

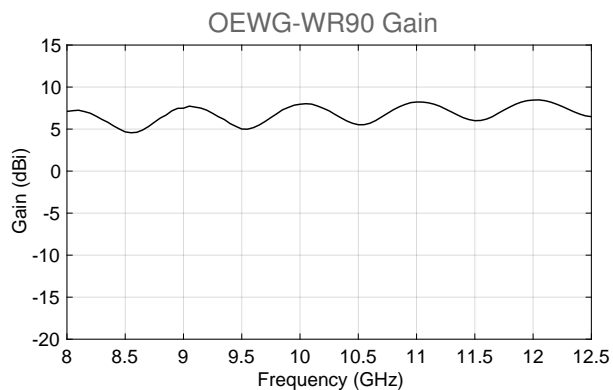
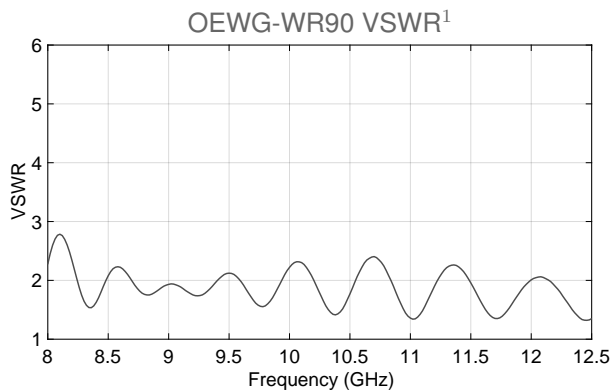
¹ Specification when using the AntenX SMA-WR90 coax to waveguide adapter.

X-BAND OPEN-ENDED WAVEGUIDE PROBE ANTENNA

8.2 GHz TO 12.4 GHz

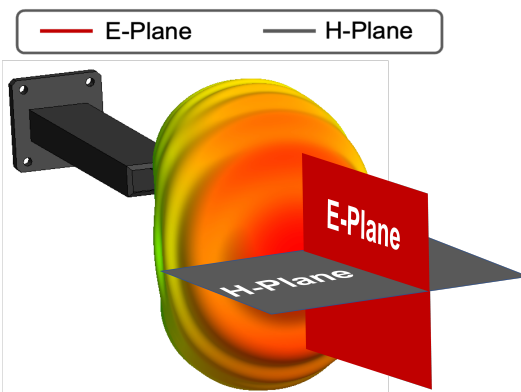
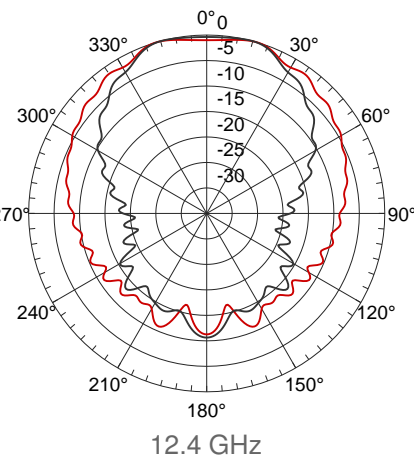
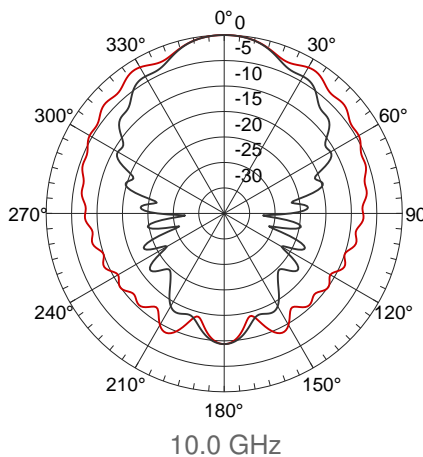
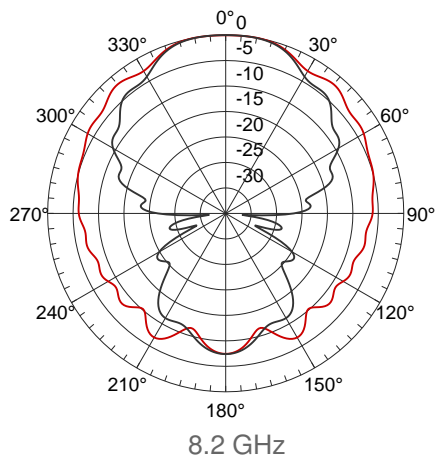
OEWG-WR90

TYPICAL PERFORMANCE



¹ Measured using an AntenX SMA-WR90 coax to waveguide adapter

OEWG-WR90 Normalized Radiation Patterns

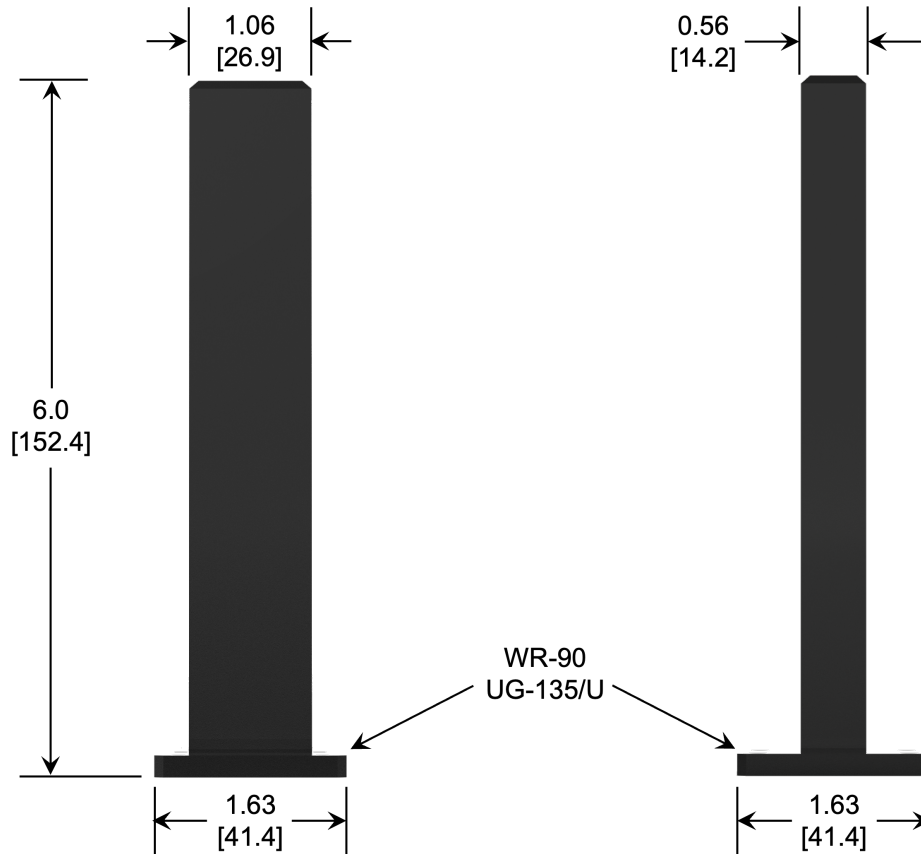


X-BAND OPEN-ENDED WAVEGUIDE PROBE ANTENNA

8.2 GHz TO 12.4 GHz

OEWG-WR90

CAD DRAWING



NOTES:

1. UNLESS OTHERWISE SPECIFIED ALL DIMENSIONS ARE NOMINAL
2. DIMENSIONS ARE IN INCHES [mm]
3. ALL SPECIFICATIONS ARE SUBJECT TO CHANGE WITHOUT NOTICE AT ANY TIME